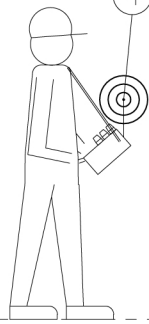
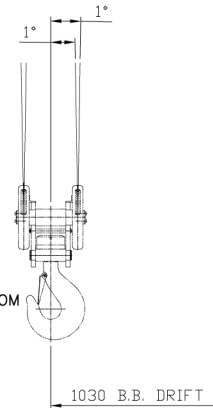
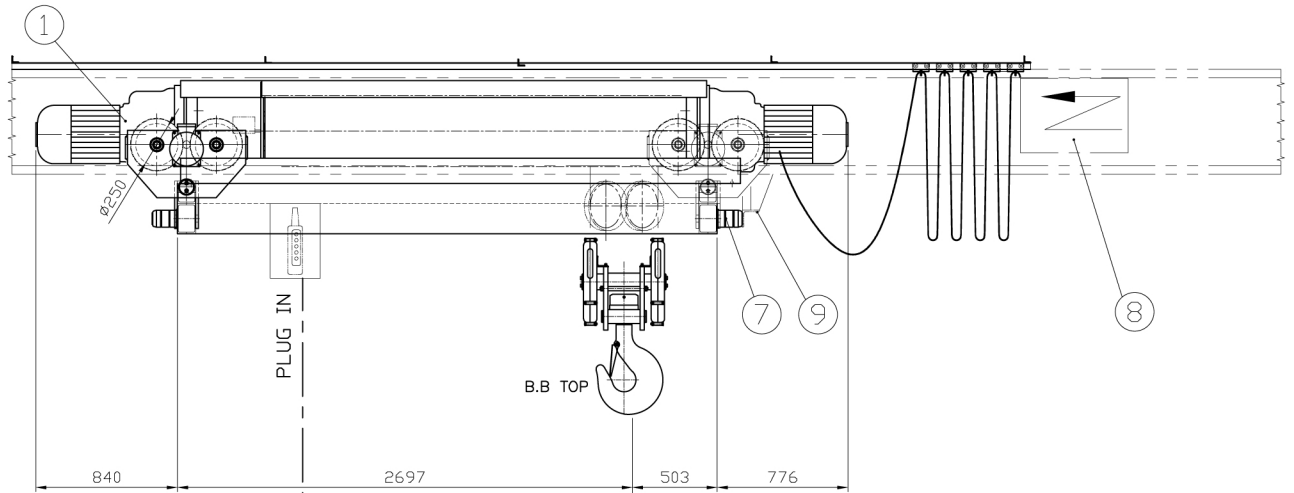
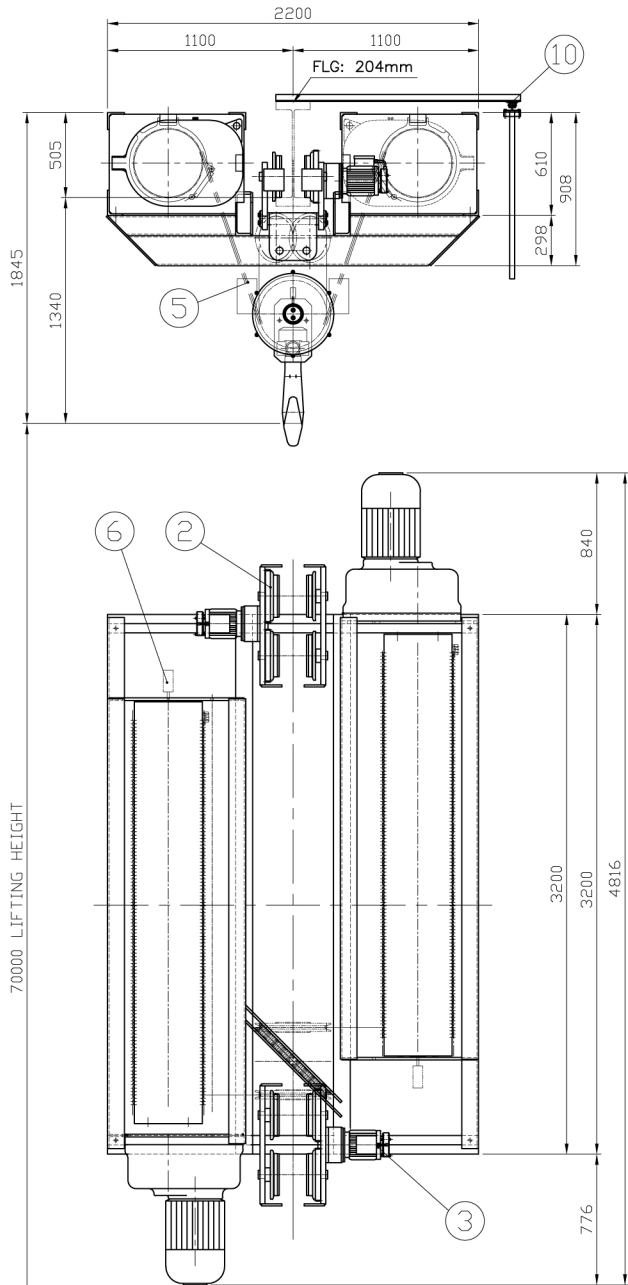


Indoc Cranes supplies another custom built high lift Condra hoist to Canada's Mining Industry. The hoist is expected to be installed in February 2010. The complete project including structural modifications will be carried out by Indocs structural teams, engineers and electricians and will take 5 weeks to complete.



OPERATING LEVEL: T.B.A

NOTES:

LIFTING HEIGHT: 70 000mm
 POWER SUPPLY: 575V; 3Ph; 60Hz
 PAINTING: 3 PART EPOXY COATING (FRAME ONLY)
 CONTROL VOLTAGE: 110V
 OPERATING AREA: INDOOR
 OPERATING LEVEL: T.B.A
 CONTROL OF HOIST: RADIO REMOTE/PENDANT BACK-UP
 ELECTRIC PANEL: MOUNTED ON PLATFORM

MOTION	MOTOR TYPE	kW	SPEED m/min
HOIST	HKD 180 4P	22.0	6.0
C.T.	TKD 112 4/12P	0.6/0.2	12.0/4.0

NO.	DESCRIPTION	QTY.	UNIT	REMARKS
10	LONG TRAVEL POWER SUPPLY	1		
9	END STOP	1		
8	ELECTRIC PANEL	1		
7	BUFFERS	2		
6	HUNTING TOOTH LIMITER	1		
5	FINAL LIMIT SWITCH	1		
4	INDOC SUPPLY SAGA 1242 RADIO REMOTE	1		
3	C.T.DRIVE 20/16	1		
2	CRAWL - #250	2		
1	HOIST 19K L144 4/2	2		

REV.	DESCRIPTION	NAME	DATE	ITEM NO.	PART NO.	QTY.	DESCRIPTION	MATERIAL	MASS/UNIT
0	FIRST ISSUE	JvG	08.11.10						TOTAL MASS: 3200kg

INDOC CRANE SERVICES

CUSTOMER : _____

NAME	DATE
DRAWN JvG	08.11.10
CHECKED JJK	08.11.10
APPR.	

SCALE: 1/10

TITLE: S.G.E. 30TONNE (30000kg) 2x19K 4/2 HOIST AND CRAWL 18M DUTY

DRAWING NO. 70-60-50



Rev. 1